



ACCURATE LOCK & HARDWARE

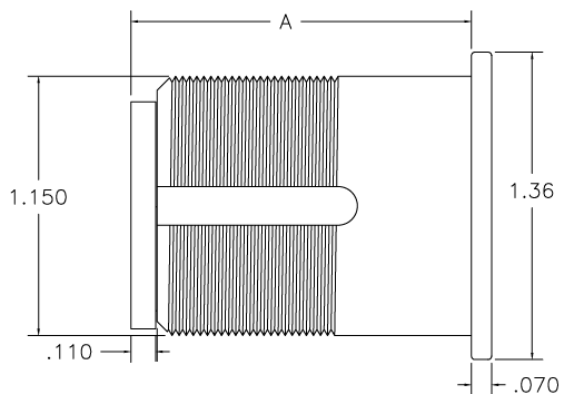
AMERICAN CRAFTED SINCE 1972

Cylinders

MATL: BRASS	FINISH: US15	QTY: 22pcs
QUANTITY: 22 (22 CYLINDERS)		
ANALYSIS: 0.001	DATE: 01/15/17	SCALE: 1:1
DESIGNER: J. W. W.	DATE: 01/15/17	SCALE: 1:1
APPROVED: J. W. W.	DATE: 01/15/17	SCALE: 1:1
PART NO: FC3004		

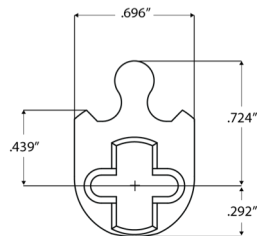
STOCK MORTISE CYLINDERS

Accurate offers ILCO mortise cylinders in the limited lengths and keyways



All cylinders supplied standard with a clover leaf cam.

For use with 9000/9100, 8700/8800, 9500, 7200, 2001, 2002, SL9100, 9100SDL, 9100BDL, 9500VR locks.



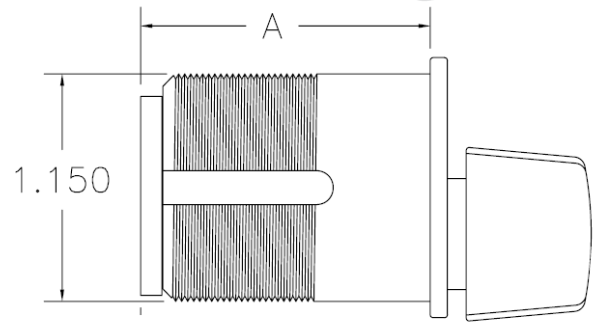
Length (A)	P/N	Keyway	Notes
3/4"	C7124-KD	LOCKWOOD	4-pin, Keyed different
3/4"	C7124-KA	LOCKWOOD	4-pin, Keyed alike
1"	C7165-KD	SCHLAGE C	5-pin, Keyed different
1"	C7165-KA	SCHLAGE C	5-pin, Keyed alike
1 1/8"	C7185-KD	SCHLAGE C	5-pin, Keyed different
1 1/8"	C7185-KA	SCHLAGE C	5-pin, Keyed alike
1 1/4"	C7205-KD	SCHLAGE C	5-pin, Keyed different
1 1/4"	C7205-KA	SCHLAGE C	5-pin, Keyed alike

Available finishes: US3, US4, US26, US26D, US32D, US5, US10B
Other finishes available as a special order



STOCK THUMB TURN MORTISE CYLINDERS

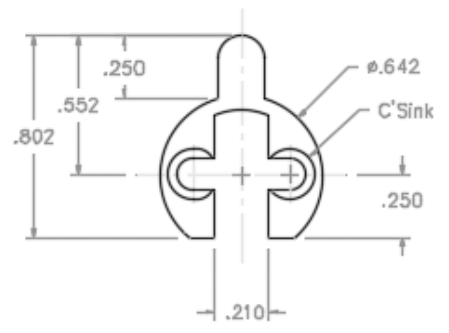
Accurate offers ILCO mortise thumb turn cylinders in limited lengths



Length (A)	P/N
1"	C7161
1 1/8"	C7181

Available finishes: US3, US4, US26, US26D, US32D, US5, US10B
Other finishes available as a special order

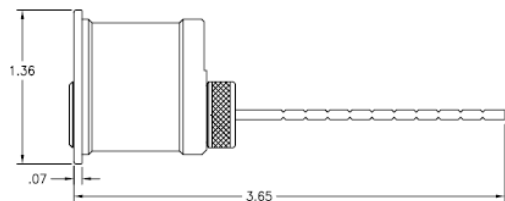
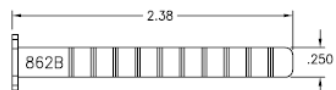
All thumb turn mortise cylinders supplied standard with Accurate's 17 cam. For use with 1700 locks.



STOCK RIM CYLINDERS

Accurate offers ILCO RIM cylinders for use with 1912 deadbolts

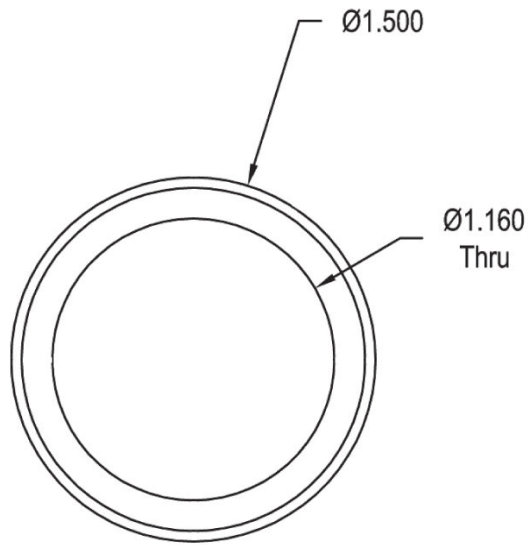
For 1 3/8" to 2 1/4" thick doors.



P/N	Notes
C7076	6-pin

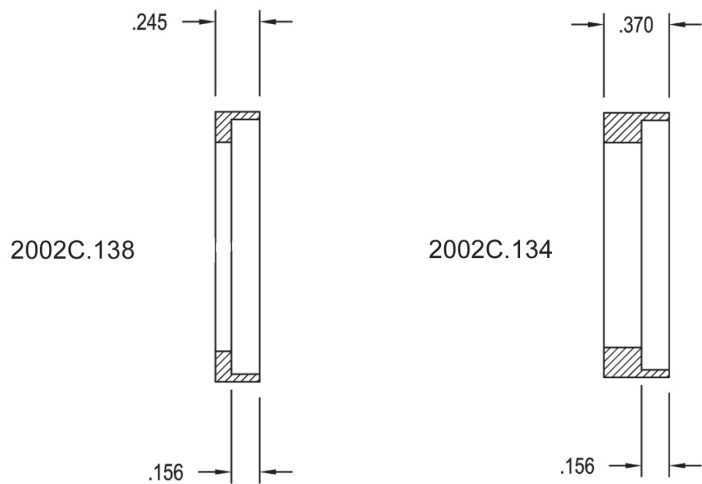
Available finishes: US3, US4, US26, US26D, US32D, US5, US10B
Other finishes available as a special order

2002C CYLINDER COLLARS



Cylinder sits flush

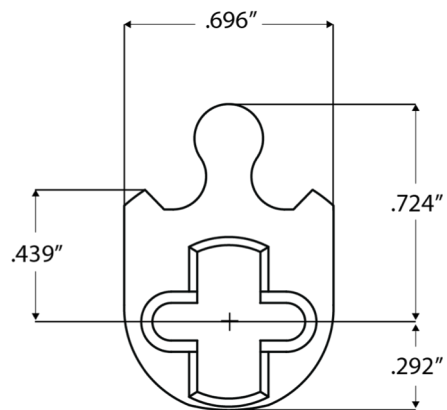
Included with S2002C, N2002C, A2002C, O2002C, CS2002C, CN2002C, CA2002C, CO2002C, FE2348C, FC2348C flush pulls



Available finishes: US4, US4NL, US26D, US3, US3NL, US26, US10B, US14, US15, US19, BN, BB, TN, TB, DURO, ESN, US15A, US5

Other finishes available as a special order

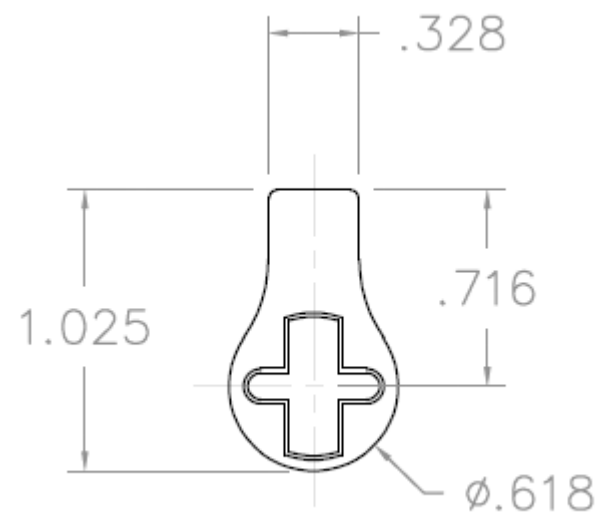
CAMS OVERVIEW



Clover leaf cam

Equivalent to Corbin A01
For use with 9000/9100,
8700/8800, 9500, 7200,
2001, 2002, SL9100,
9100SDL, 9100BDL,
9500VR locks.

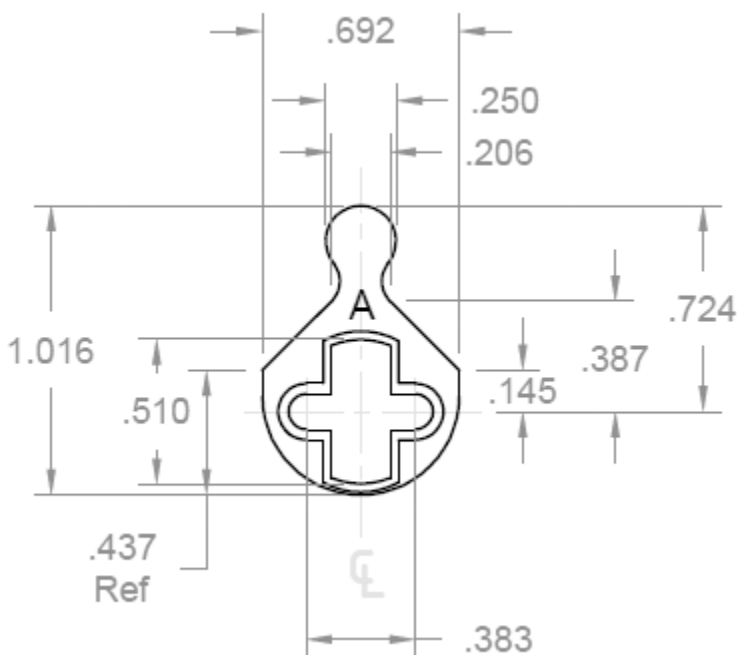
* Loose cam included with
lock



Standard straight cam

Equivalent to Yale 1161
For use with 9000/9100
locks without a
deadbolt, 8500/8600,
7800, 336, 338, 322,
324, 8978

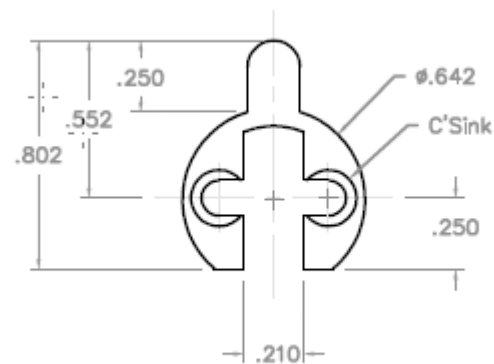
* Supplied by others



#85D Accurate modified clover cam

For use with 8500/8600
locks with a deadbolt

* Loose cam included with lock



#17 cam

Equivalent to Adams Rite
For use with 1700
Locks

* Loose cam included with
lock

**ACCURATE LOCK & HARDWARE
MANUFACTURERS OF LOCKS AND
CUSTOM ARCHITECTURAL HARDWARE**

1 Annie Place | Stamford, CT 06902

P: 203.348.8865

F: 203.348.5234

E: sales@accuratelockandhardware.com

www.accuratelockandhardware.com



**AMERICAN CRAFTED
— SINCE 1972 —**